

EXHAUST FAN FLEXAIR 640



The chimney section of the FlexAir exhaust fan consists of modules made from strong, light weight insulating PU foam. The modular system allows for installation in any type building.

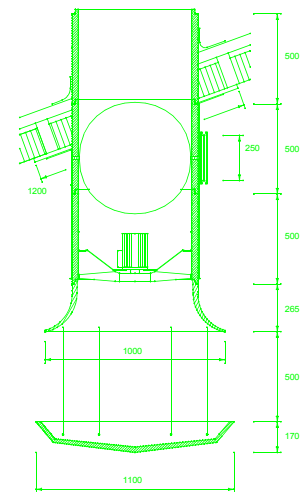
All FlexAir units have been optimized to maximum efficiency, ensuring reliable performance and stability under all conditions.

Dampers fit snugly into the chimney sections help minimize the leakage of warm air from the building and eliminate condensation and ice build-up.

The flexible construction makes the FlexAir units ideal for all types of ventilation:

- ❖ **Balanced ventilation**
- ❖ **Negative pressure systems**
- ❖ **Curtain sided houses**
- ❖ **MiniMax ventilation**

Technical data				
Fan 940 RPM	Motor	3 x 400 V / 0.85A	0,22 kW	All materials PU (polyurethane) Stainless Steel
	Volume Flow	10 200 m ³ /h	@ 0 Pa	
	Fan blades:	5	40°	
Chimney section	dia., mm	700 OD	640 ID	
Damper	dia., mm	640 ID		
Suspension	galvanized steel straps			



Upon request, the FlexAir exhaust unit can be equipped with drip tray and/or rain cover.

DACS
DYBDAHL AGROTEKNIK A/S

❖ Balanced ventilation

The balanced ventilation system from DACS consists of the FlexAir exhaust fan and the Corona ceiling inlet fan. Depending on outside climatic conditions, dampers adjust automatically, maintaining at all times the correct balance between fresh air supply and air mixing and destratification without the aid of secondary motors or other moving parts. The balanced ventilation system is not affected by side wind, and significantly reduces heating costs.

❖ Negative pressure systems

In negative pressure systems from DACS, the FlexAir exhaust fans are placed near the roof ridge. For optimum performance and control, fan speed is adjusted by a common speed controller, in order to ensure even flow characteristics through all wall inlets. The two rows of wall inlets can be controlled independently, allowing the user to compensate for side winds and adjust the negative pressure to ensure optimum climatic conditions.

❖ Curtain sided houses

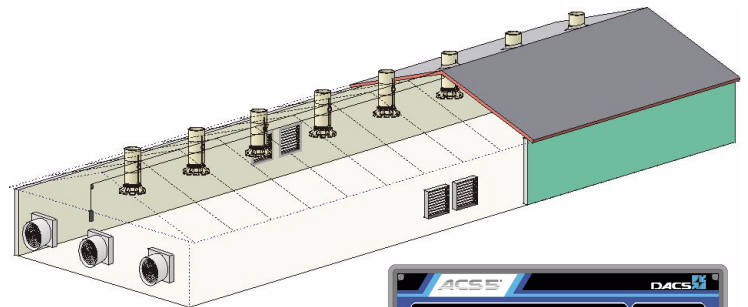
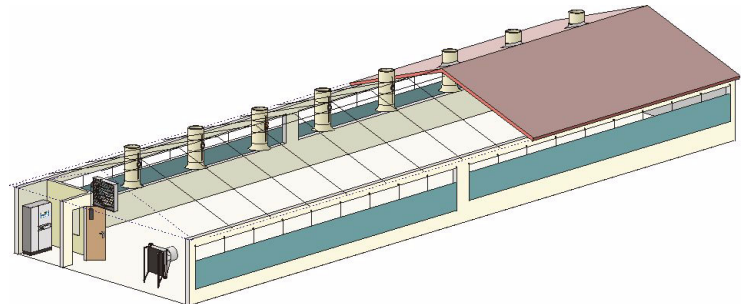
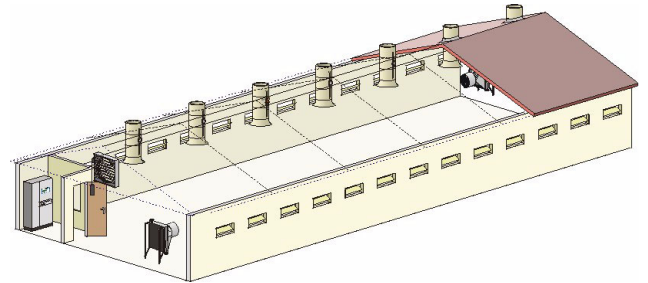
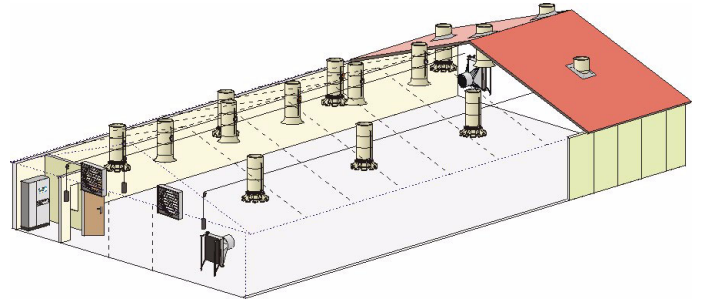
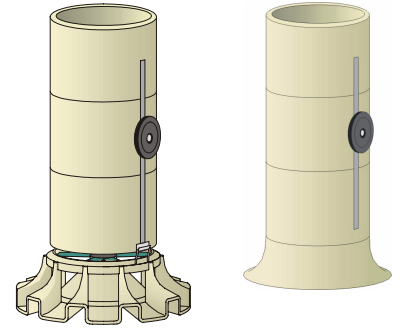
The DACS setup for curtain sided houses controls up to six curtain sections independently, allowing the user to compensate for cross winds and react instantly to temperature changes in any of the temperature zones. Depending on the width of the building, FlexAir exhaust fans or large capacity wall fans can be installed to maintain proper air exchange rates throughout the building.

❖ MiniMax ventilation

DACS developed the MiniMax ventilation system to combine the advantages of a balanced ventilation system with the high capacity tunnel ventilation systems commonly found in warmer climates. During cold weather periods, and when birds are young, the Corona ceiling inlet fan ensures complete mixing of incoming cold air with warm room air, before distributing the air gently and evenly, eliminating draft, wet spots, and bird discomfort.

High capacity wall fans exhaust air at both ends of the building, and large sidewall air inlets ensure high air exchange rates and the well known cooling capacity of tunnel ventilation.

In conjunction with the ACS5 climate and production controller, the FlexAir fan line constitutes a unique system that meets the needs of modern poultry producers.



FALKEVEJ 18 - 8766 NR. SNEDE - DK - TEL. +45 75 77 19 22 - FAX +45 75 77 19 18 - mail@dacs.dk
www.dacs.dk